

2022
version

QPI

DENTAL IMPLANTS
SYSTEM

*...Creating smiles
with a gentle touch...*



PARS SAMAN TEB
Exclusive Sales
Representative

F E A T U E R S & B E N E F I T

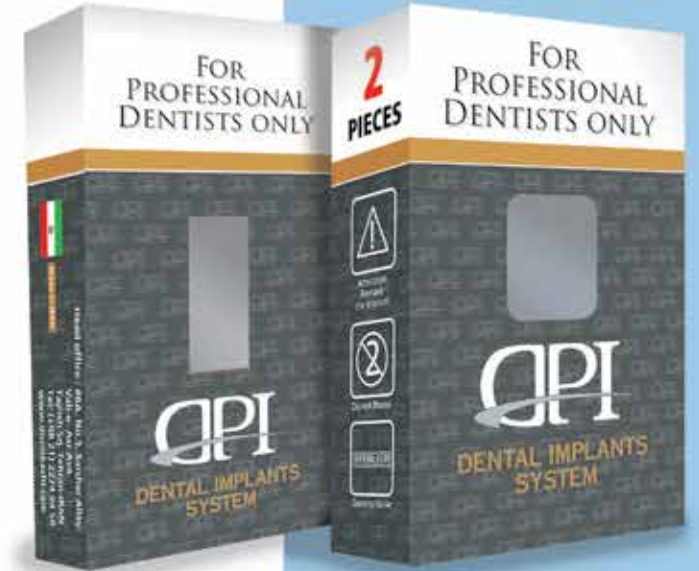


About us

Pars Saman Teb Company was established in 2018 with the aim of optimizing, innovating and improving the quality of domestic dental implant production with a wealth of valuable experiences in the field of dental implant manufacturing.

In the year of 2018, the company announced its formality and started the project of producing dental implants in the first phase, from 2020. Pars Saman Teb Company, a manufacturer of fixtures in the form of OBL, started its activity in 2018 with direct cooperation in the field of dental implant production and its supply and now It's working all over the country to supply products with DPI brand. The main policies of above companies are:

- Implant production
- Abutment production
- Surgical kit production
- Prosthesis production



QUALITY IS NOT OUR SLOGAN, IT'S OUR CREDIT...



CEO Statement

After two decades of effort and research on dental implant system, we have succeeded in producing high quality products at the international level.

Pars Saman Teb implant company is proud to be a manufacturer of dental implants in Iran, which can compete with similar Korean and European products, and of course this is the starting point.

Hopefully the company's production brands , in the field of domestic production as well as vital rivals in Asia , Europe and USA.

today's success is due to the tireless efforts of the School of Dentistry of Tehran University of Medical Sciences, the Dental Implant Research Center of the University of Tehran and the Faculty of Mechanics of Tehran University of Science and Technology, and respected professors and elite Iranian students.



Mitra Malekotojar/ Chairman of Pars Saman Teb



The path of the company in the production of national implants

2018

Establishment of company and implementation of research and development principles. Achieving product prototypes and starting scientific experiments.

2018

Achieving product prototypes and starting scientific experiments

2019

Compilation and creation of scientific product documentation and quality management based on current world standards.

2020

Carrying out additional tests and examinations under the measures of relevant institutions in accordance with international approvals and ISO 13485.

2021

Obtaining all scientific and administrative approvals and licenses and starting to accompany dear customers with mass production.



OPI
DENTAL IMPLANTS
SYSTEM



Certificates and approvals obtained

We thank God that after two decades of effort and research on dental implant system, we have succeeded in producing high quality products at the international level.

This Company is proud to be a manufacturer of dental implants in Iran, which can compete with similar Korean and European products, and of course this is the starting point.

Hopefully the company's production brands , in the field of domestic production as well as vital rivals in Asia , Europe and USA.

Today's success is due to the tireless efforts of the School of Dentistry of Tehran University of Medical Sciences, the Dental Implant Research Center of the University of Tehran and the Faculty of Mechanics of Tehran University of Science and Technology, and respected professors and elite Iranian students.



Pars Saman Teb Company

The Company, which is using modern and advanced equipment in dental manufacturing at top level , is trying to launch a high quality implant system equal to foreign implants a quality aspect , relying on the expert staff and technologies present in the production space.

The basis of implant product design and its production space is based on studies on scientific processes and production procedures of advanced implants in the world, which is due to the development based on the implementation of specialized product standards in the production process, the existence of a product with excellent quality has been achieved, so we hope that with customers support, and with the principle of supporting national production, we will achieve great success in this matter.

At the beginning of product design with the aim of meeting the needs of dear customers in the implant department, The Company company first collect all the technical features required by customers from common implants in the market and based on the list prepared in relation to implant geometry, surface coating, threads and micro-design and other clinical factors prepare the product and then provide it to the relevant institutions for audition and approval. All products, including fixtures, abutments and surgical kits, are approved by standard regulations and are produced under standard quality management protocols (ISO 13485). Also, the capable personnel of the company have used all their efforts to ensure stability in quality and development in innovation as the two main policies in the production of products, and by formulating a regular production plan and quality control procedures, guarantee. Delivered quality product brought to dear customers.





Products

FIXTURE

This Company, which is using modern and advanced equipment in dental manufacturing at top level , is trying to launch a high quality implant system equal to foreign implants a quality aspect , relying on the expert staff and technologies present in the production space.....



Products

FIXTURE

- 1- Grade 5 titanium abutment brings the necessary aesthetic and strength to the prosthesis
- 2- Minimizing the gap between connection of the hex abutment and the fixture reduces the risk of contamination to zero.
- 3- Creating a surface treatment factor with SLA, SL2A, SL3A technologies, as well as the use of medical grade 5 titanium, offers good adhesion and biocompatibility according to ISO 10993.



Products

FIXTURE

The fixtures of Pars Saman Teb Company with special hybrid appearance features suitable for all areas of the mandible, whether anterior or posterior, as well as optimal depth and height, can provide special stability for the initial stability of the implant, especially at low bone densities, and also has a suitable geometry to guide the given soft flap tissue, providing a suitable output in the aesthetic and morphology of the soft tissue.

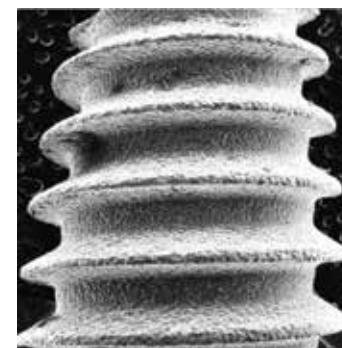
Providing Morse Tapper connection and hex connection allows optimization of the final treatment plan and allows for different prosthetic designs.



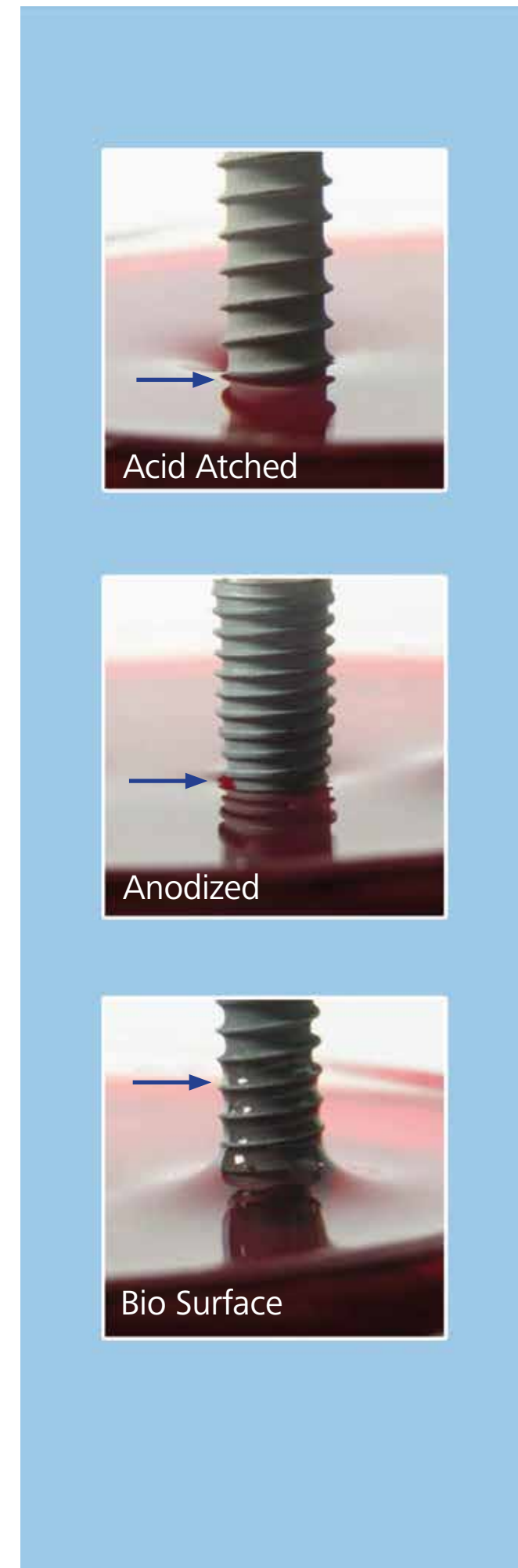
Products

FIXTURE

After implant design (macro design) which has a great impact on the initial stability and distribution of forces, micro design and oxidation management of the implant surface increases surface contact with the bone and also accelerates bone fusion and its durability.



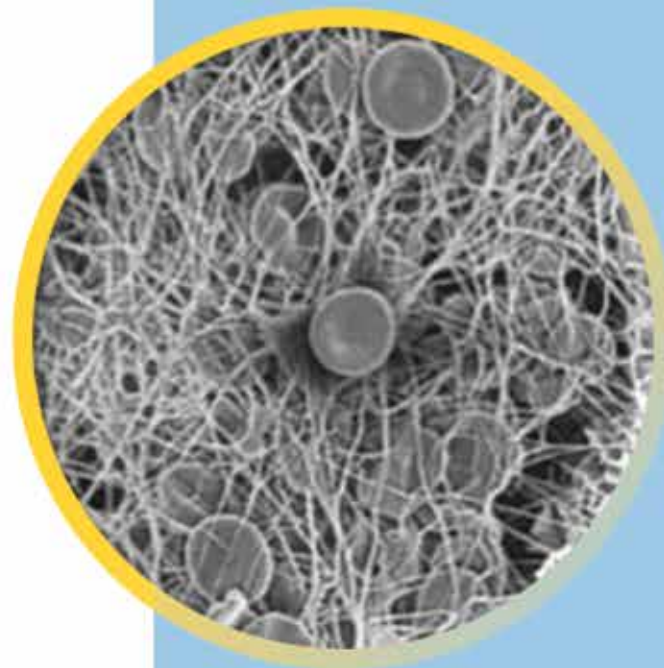
Micro design of The Company implant



Products

FIXTURE

Surface treatment method, due to the preparation of implant surface for biological adhesion by developing related growing function that results from the use of this feature in most implant brands, the company used the SLA technique to treat the surface of its implants, Which causes high prosthesis respond at implant surface. It is also surface anodizing to spread the titanium oxide of interest on the implant surface. Also, recently, SLActive methods have been performed that cause surface activation and hydrophilicity, resulting in rapid blood absorption, contact with blood, and bone formation faster than conventional methods. The general benefits are as follows:



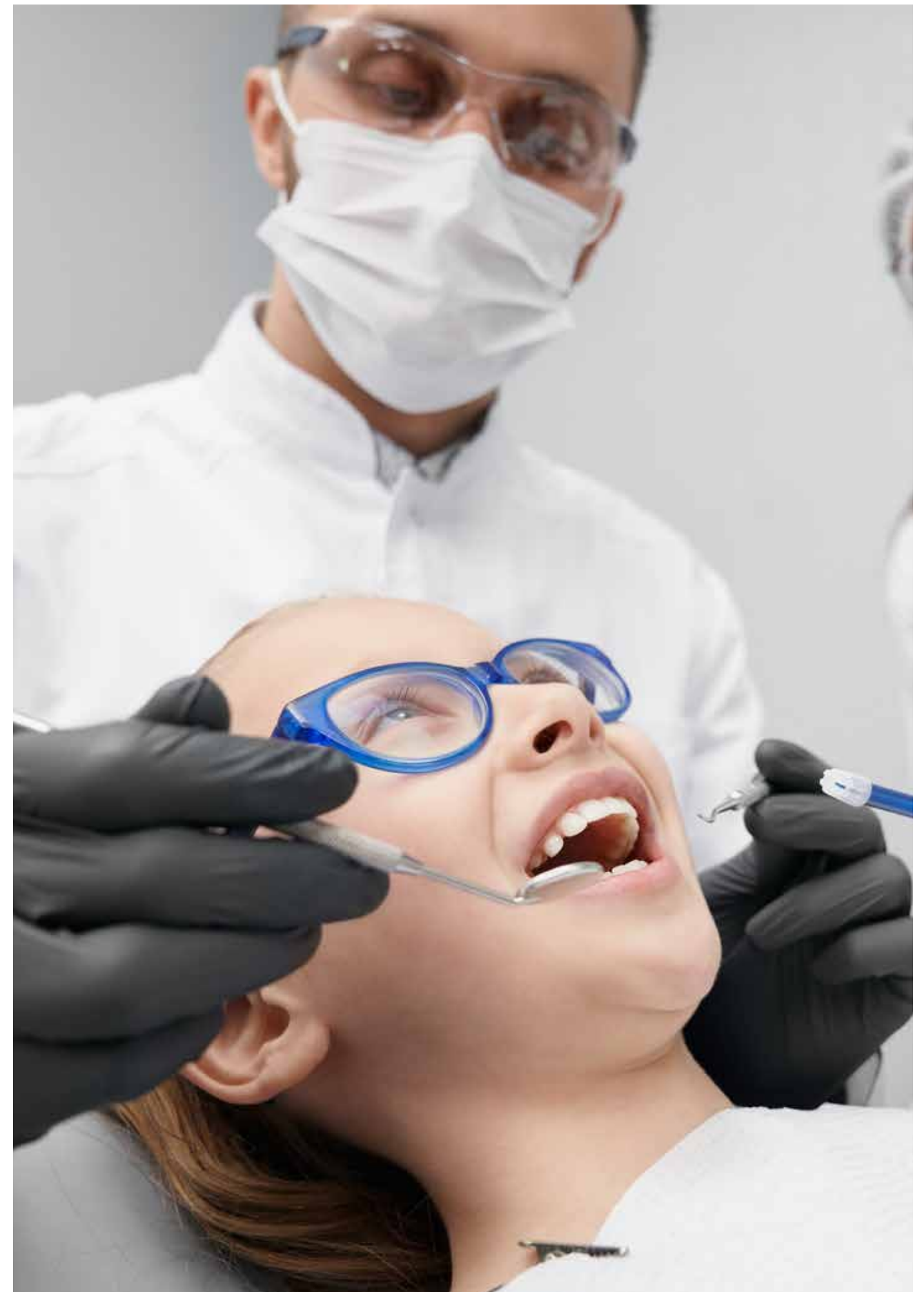
Increase treatment pace

Predict better results for diabetes

Suitable response to immediate loading

Boost bone reconstruction and temp growing on implant

Develop vessel formation





Products

SLA

By sandblasting method, first with particles of different materials including aluminum oxide or titanium oxide with a diameter of 150 microns or soluble materials such as hydroxyapatite or sulfate or phosphate compounds that are sprayed with appropriate pressures on the surface of the implant trunk And causes disruption at the implant surface.

SL2A

Based on the SLA level, which is an extended system of sandblasts and is presented as:
Sand blast / Large grit / Acid etching / Anodizing
Is known. In this washing method, acid etching and anodizing take place in a wider dimension.

SL3A

With active surface fixtures, one of the most important advantages of product is shortening the osteointegration period to 1.5 months and making the implant-to-bone contact (BIC) up to 85% suitable for implant placement in weak bones, SL3A includes the following concept: SL3A (Sandblasting Large Grit Acid etching Anodizing Activating)



Products

A

Surface porosity between 4 to 6 microns is the result of etching with hot acid at 130 ° C and with very dense pores is the result of sand blasting with 150 micron particles of aluminum oxide.

B

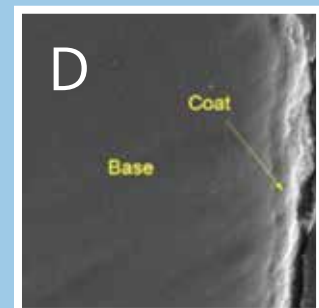
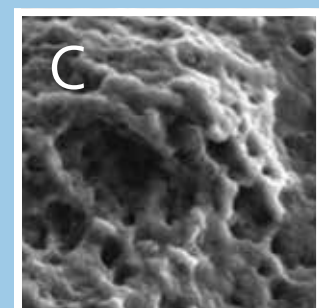
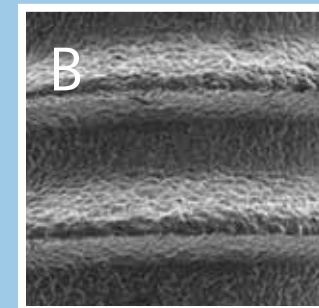
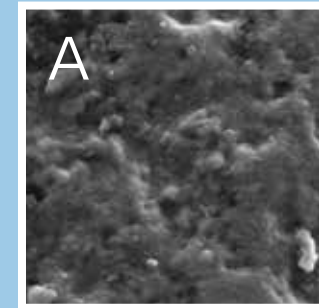
Innovation at the implant surface includes SL2A implant surface means Sandblasting / Large grit / Acid etching / Anodizing. Which is company specific

C

The average prosthesis of the implants produced by the company is 4.5 microns on average in the cervical, trunk and apical areas of the implant. Which is one of the implants with rough surface

D

With anodizing process, a very strong layer of titanium oxide with a diameter of 180 angstroms spreads evenly. Which is very effective in the hydrophilicity process and the surface of the implant becomes positive ions and absorbs negative ion elements in the blood and shortens the period of integration with the jaw bone.



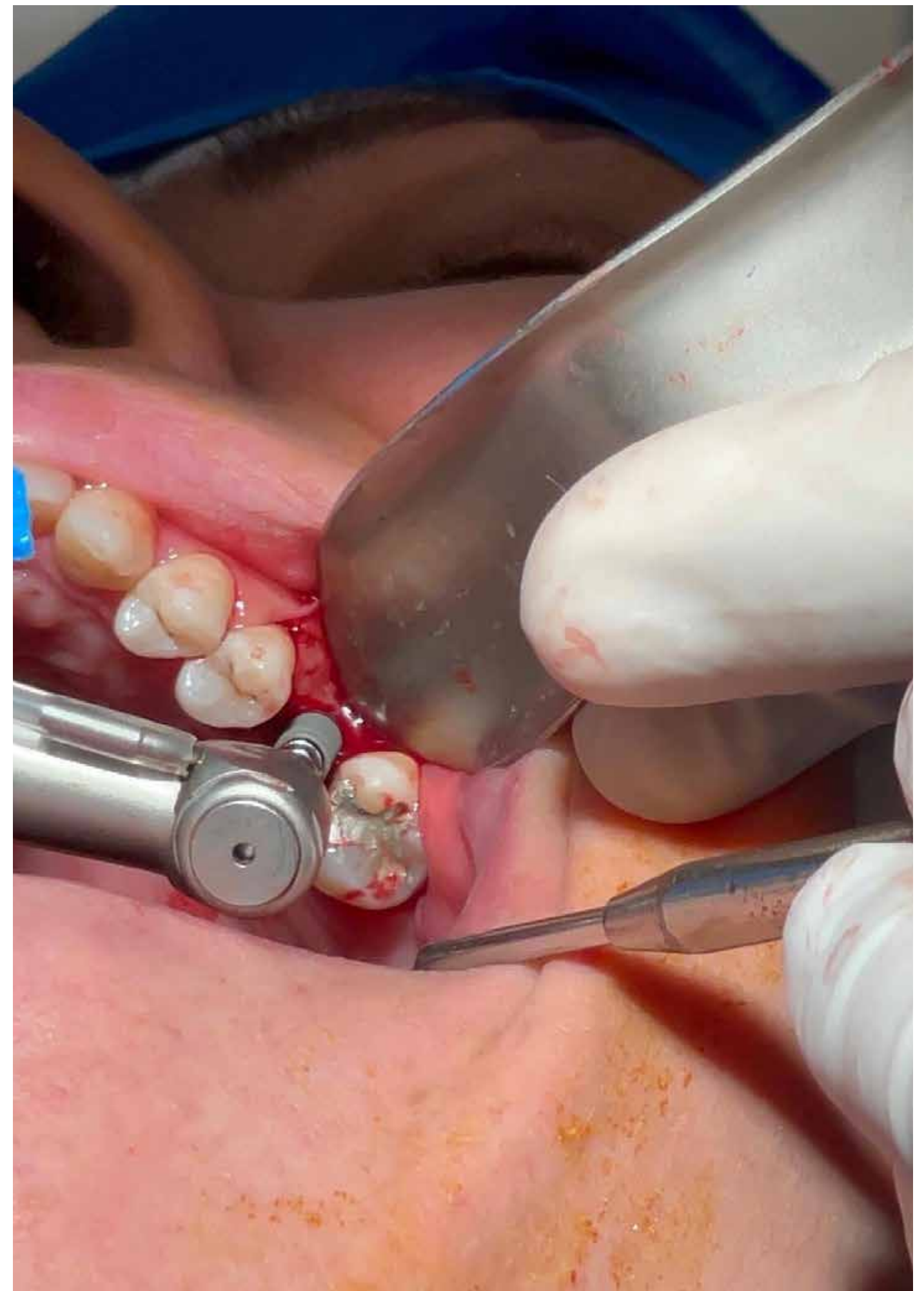
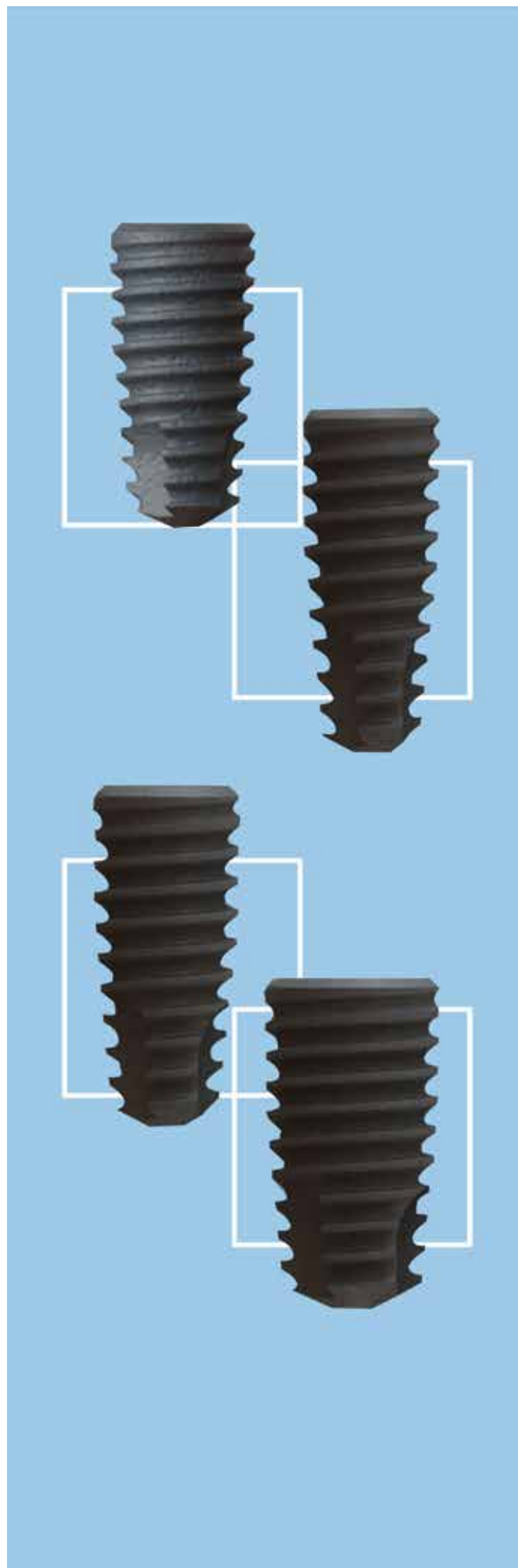
Products

FIXTURES

The fixtures produced by company in DPI model have excellent initial stability and easy placement feature, suitable for treatment in aesthetic zone areas, compatible with jaw anatomy with minimal bone resorption, having a stable biological connection with easy and safe surgery and can be used in different types of bones and The material is medical titanium grade 5.

Fixture DPI

Diameter	Q3.7 , Q4 , Q4.5 , Q5
Length	8 ,10 ,12 ,14
Material	Titanium Gr.5
Surface	SLA , SLA Active



Products

ABUTMENTS

A

Straight abutment in DPI model with high mechanical strength and various heights, are suitable for prosthetic treatment by observing aesthetic principles, compatible with implantation of fixtures on the jaw, and with having a stable biological connection with easy and safe prosthetic techniques and usability in Jaws, these pieces very feasible and they are made of titanium grade 5 medical.

Straight Abutment

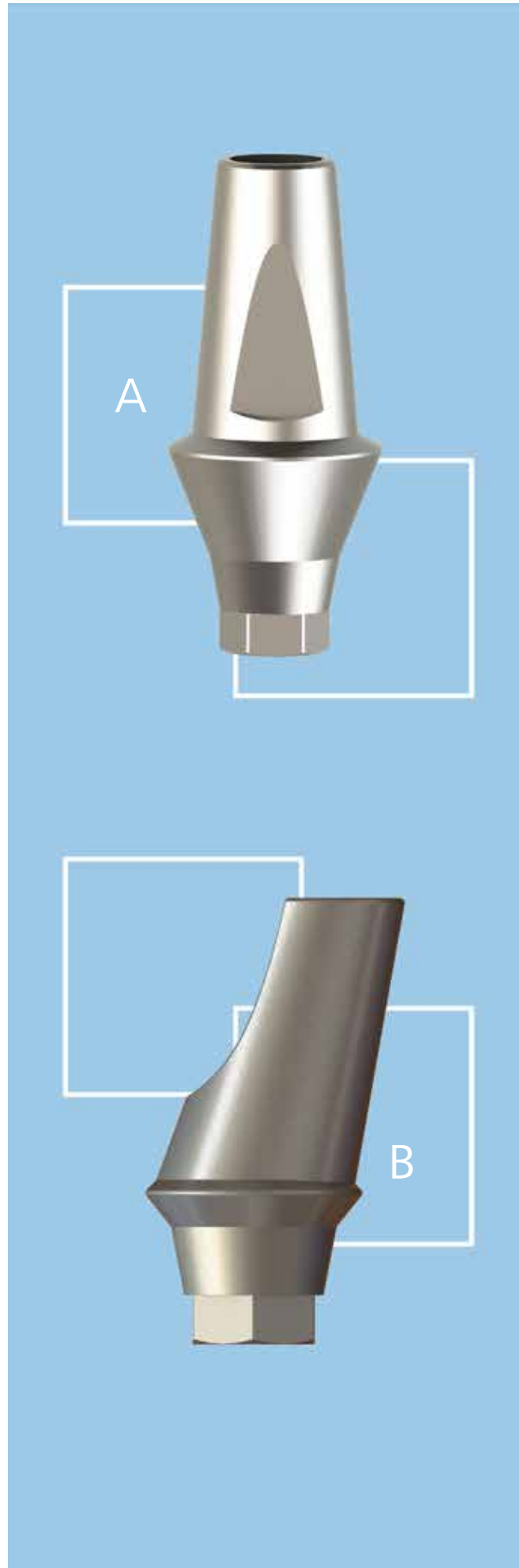
Model Diameter	Q4.5 , Q5.5
Length	GH 1, 2, 3
Material	Titanium Gr.5

B

Angular abutments in DPI model with high mechanical strength and various heights and angles, suitable for prosthetic treatment by observing aesthetic principles, compatible with the installation of fixtures on the jaw with various angles, having a stable biological connection with easy prosthetic techniques and It is safe and can be used in a variety of jaws and is made of titanium grade 5 medical.

Angular Abutment

Diameter	Q4.5 , Q5.5
Length	GH 1, 2, 3
Angle	15,25
Material	Titanium Gr.5



Products

BALL ABUTMENTS

A

Ball Abutment is an abutment that helps to fix the prosthesis for various reasons, such as the ability to connect to the prosthesis.

Ball Abutments, like abutments, are offered in two diameters of 4.5 mm and 5.5 mm in the implant system of the company. And the variation of the height of gingiva height of the abutments changes from zero, the same level with edge and soft tissue up to 4.0 mm. Which allows it to be used for different positions in the mouth.

Ball Abutments exist in at least 3 separate sections, including a cap that is embedded inside the prosthesis and comes with the prosthesis. And plastic housing is provided to control and fix the movement of the prosthesis. At present, all parts are produced in company.

Ball Abutment

Diameter	Q4.5
Length	GH 1, 2, 3, 5, 6
Material	Titanium Gr.5

B

Healing is a tool that is attached to a fixture and is in the form of metal cylinders with a angled platform that are placed above the gums and the height of these tools is usually between 2 to 10 mm and it is made of grade 5 titanium. The use of healing in fixtures is very important.

Ball Abutment

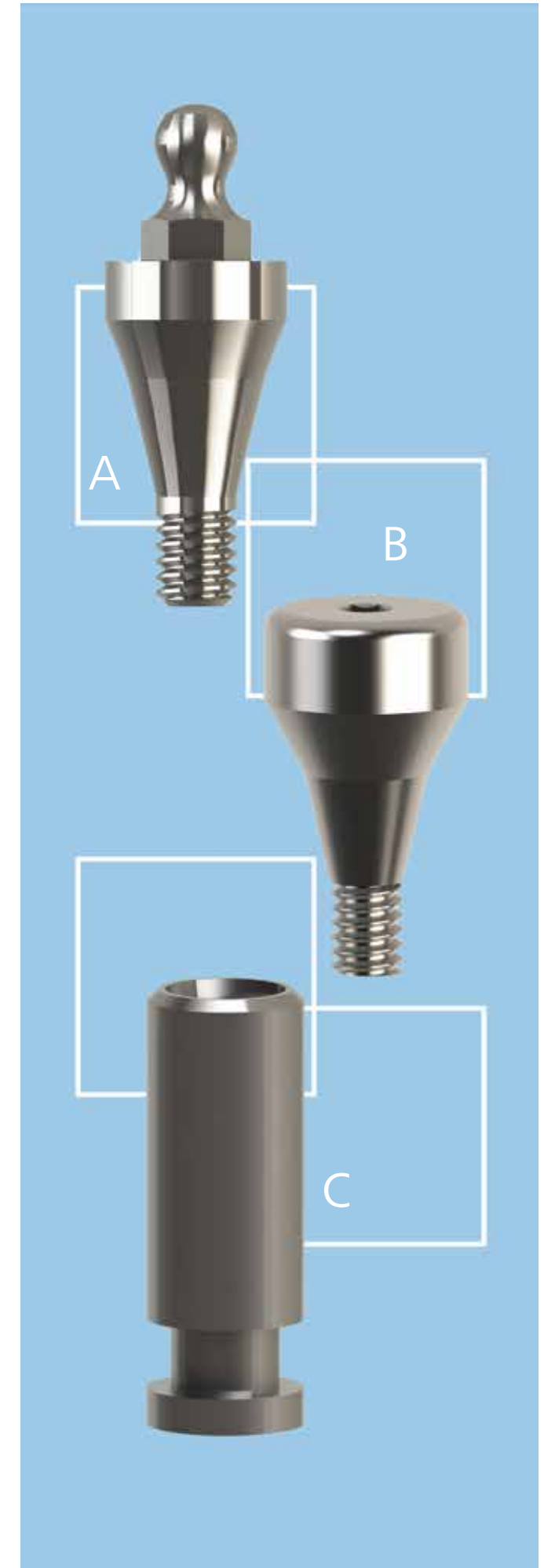
Diameter	Q4.5
Length	GH 1, 2, 3, 4,
Material	Titanium Gr.5

C

An implant analog is a support or attachment mechanism that is usually included in a patient cast to reconstruct a prosthesis. Provides an implant analog that shows the exact position of the patient implant. It is created by molding the patient's teeth and implants and using it to create a copy mold that accurately shows the anatomy of the implant in the patient's mouth. This allows a dentist to make the prosthesis and place the bases correctly. The use of analog can reduce the error associated with the placement of implants and supports.

Analog

Model Diameter	Q4.5
Material	Titanium Gr.5





Products

IMPRESSION COPING

A

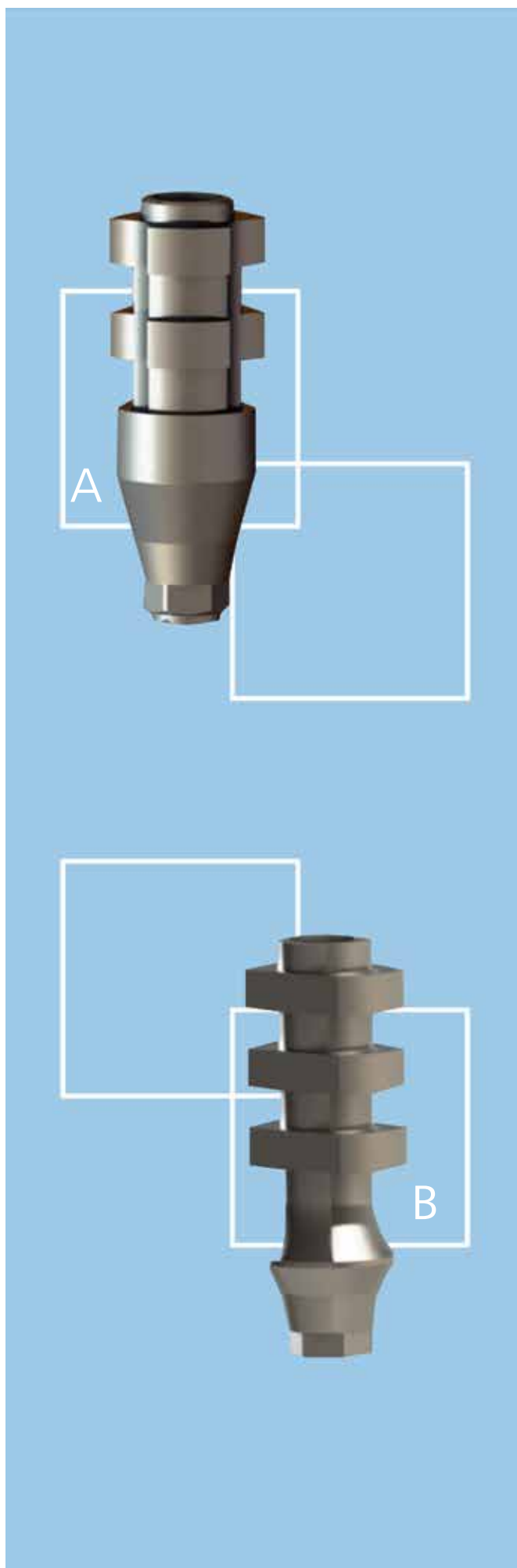
Impression coping (Open)

Diameter	Q4.5 , Q5.5
Material	Titanium Gr.5

B

Impression coping (Close)

Diameter	Q4.5 , Q5.5
Material	Titanium Gr.5

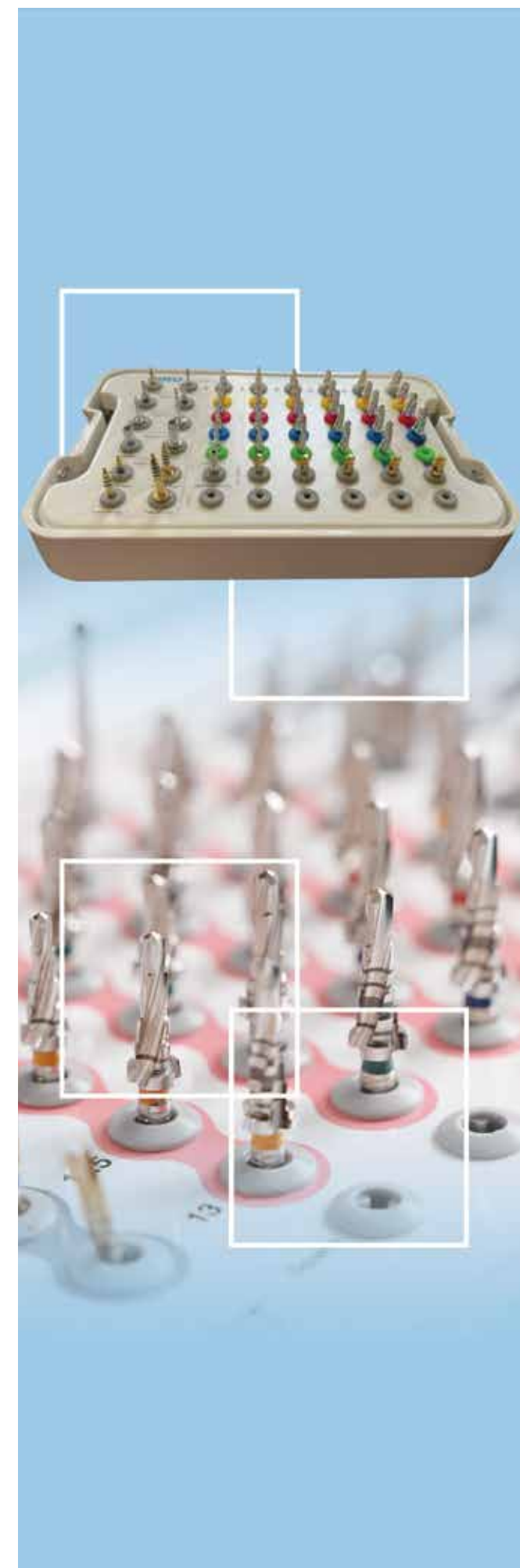


Products

SURGICAL KIT

The presented surgical kit with quality and bio compatible drills with biological coating, will be able to minimize the risks of dental implant surgery and also increase accuracy and beauty. During the surgical process, one of the most important issues of the drills is the sharpness factor and also the presentation of the exact pattern of the fixing screw inside the bone, which the company's surgical kits do with great delicacy. Auxiliary tools also include torque drivers and wrenches, a simple and efficient aid for dentists to implant fixtures and a variety of prosthetic parts.

One of the most important features that is considered for surgical kits is having a beautiful design with color tips to help the dentist manage the surgery. Our surgical kit relies on brilliant drills and also has a color guide in terms of diameter. And the length of the drills brings safe and fruitful surgery for dear specialists.





Technology

DIGITAL DENTISTRY

Today's world is changing and evolving moment by moment, constructive changes that can lead any traditional process to a more principled and accurate process, reduce mistakes and optimize results. These changes and advances include the medical and dental field, which has led to the digitalization of the dental surgery process. In dental industry, new technologies are not separate from digital accessories, this includes surgical guidance systems in dentistry. Surgical guide systems have special equipment such as printers. Take a look at the discussion of dentistry in the past, the dentist took impression, and then in the laboratory, prostheses were designed and delivered by traditional methods such as waxing, heating, and so on. This method seems cheap and efficient at first, so it may not seem necessary to change procedures, but the question is, with the advancement of technology, is the use of the traditional method justified? Let's take it easy with a simple example, suppose you are on your way to work, and the car that leads you to the digital methods is passing. If you drive with this car, you will be on a digital course and world. And you will start a scientific and higher way



Digital Dentistry

1

Advise and training with you.

2

High accuracy and optimization of treatment plan.

3

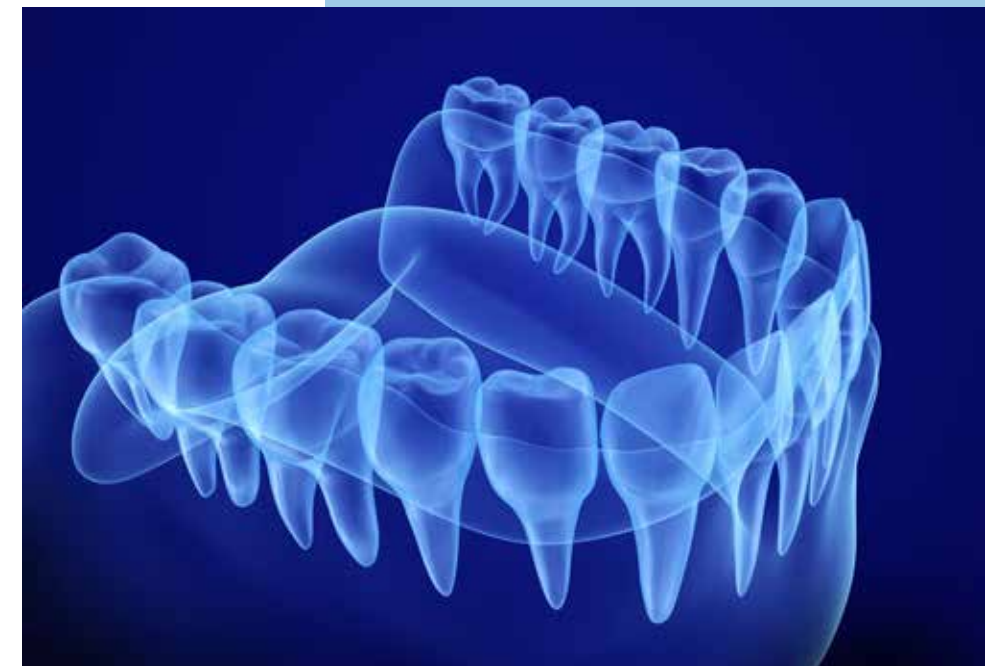
Modernize the treatment plan for your clinic.

4

Risk management in Implant treatment plan with simulation

5

Ability to review multiple times before finalizing the surgical guide.



Digital Dentistry

Technology

SURGICAL GUIDE TYPES

Tooth support surgical guides are the most common type of digital implant treatment plan. Before starting the treatment plan and simulating it, the existing teeth should be examined and the densities should be checked, while the guide should be made exactly based on the geometry of the patient's mouth at the time of surgery.

Tissue support surgical guides are used in extensive edentulousness, because the patient's soft tissue does not have the necessary support and endurance to apply mechanical forces to the jaw, an anchor connection is used, and all-on-6 and all-on-4 techniques are also effective in complete edentulousness.



Digital Dentistry

1
Send CBCT and cast to company

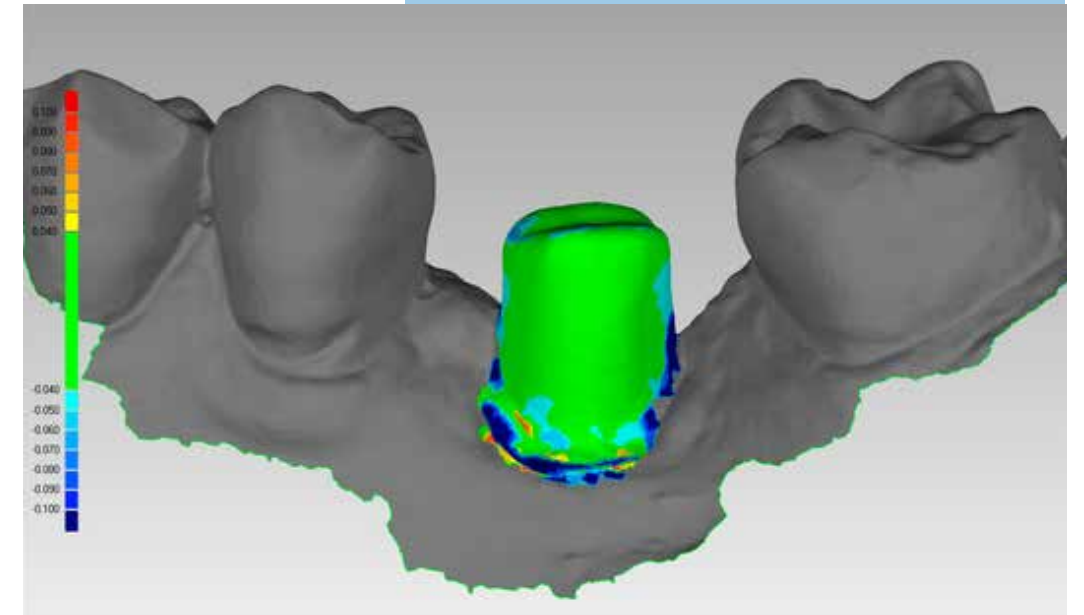
2
Check

3
Send pictures and design documents to doctor and get feedback

4
Final check and preparation of the proposed surgical protocol

5
3D printing and product packaging

6
Send to customer



Digital Dentistry



IMPLANTS SYSTEM API DENTAL IMPLANTS SYSTEM API DENTAL IMPLANTS SYSTEM API DENTAL IMPLANTS SYSTEM API DENTAL IMPLANTS SYSTEM
DENTAL IMPLANTS SYSTEM API DENTAL IMPLANTS SYSTEM API DENTAL IMPLANTS SYSTEM API DENTAL IMPLANTS SYSTEM API DENTAL IMPLANTS SYSTEM
IMPLANTS SYSTEM API DENTAL IMPLANTS SYSTEM API DENTAL IMPLANTS SYSTEM API DENTAL IMPLANTS SYSTEM API DENTAL IMPLANTS SYSTEM
DENTAL IMPLANTS SYSTEM API DENTAL IMPLANTS SYSTEM API DENTAL IMPLANTS SYSTEM API DENTAL IMPLANTS SYSTEM API DENTAL IMPLANTS SYSTEM
IMPLANTS SYSTEM API DENTAL IMPLANTS SYSTEM API DENTAL IMPLANTS SYSTEM API DENTAL IMPLANTS SYSTEM API DENTAL IMPLANTS SYSTEM
DENTAL IMPLANTS SYSTEM API DENTAL IMPLANTS SYSTEM API DENTAL IMPLANTS SYSTEM API DENTAL IMPLANTS SYSTEM API DENTAL IMPLANTS SYSTEM

IMPLANTS SYSTEM API DENTAL IMPLANTS SYSTEM API DENTAL IMPLANTS SYSTEM API DENTAL IMPLANTS SYSTEM API DENTAL IMPLANTS SYSTEM
DENTAL IMPLANTS SYSTEM API DENTAL IMPLANTS SYSTEM API DENTAL IMPLANTS SYSTEM API DENTAL IMPLANTS SYSTEM API DENTAL IMPLANTS SYSTEM
IMPLANTS SYSTEM API DENTAL IMPLANTS SYSTEM API DENTAL IMPLANTS SYSTEM API DENTAL IMPLANTS SYSTEM API DENTAL IMPLANTS SYSTEM
DENTAL IMPLANTS SYSTEM API DENTAL IMPLANTS SYSTEM API DENTAL IMPLANTS SYSTEM API DENTAL IMPLANTS SYSTEM API DENTAL IMPLANTS SYSTEM



GPI

DENTAL IMPLANTS SYSTEM



www.ParsSamanTeb.com
info@ParsSamanTeb.com

Head office :
#2B, No.3, Sarshar Allay, Vali-e- Asr Ave.
Tajrish Sq. Tehran-IRAN
Tel: (+98 21) 2274 94 58